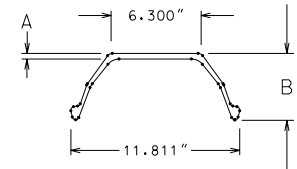
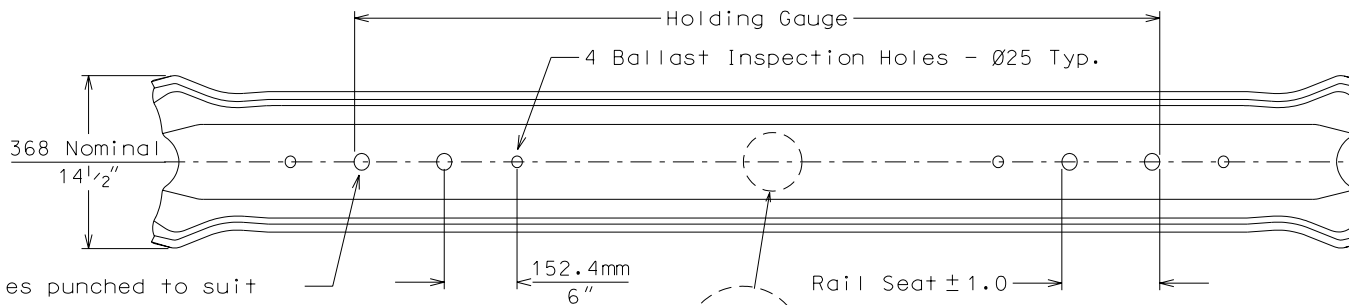


Section Properties



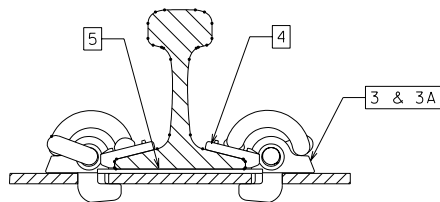
Section:	H10	H12
Dimension 'A' in	.394	.472
Dimension 'B' in	4.646	4.724
Weight of tie - lb	173	201
Weight of bar - lb/ft	20.40	23.60
Yield strength - KSI (min)	51	51
Section moduli - Z Top*in <sup>3</sup>	9.34	10.68
- Z Bot*in <sup>3</sup>	4.86	5.39



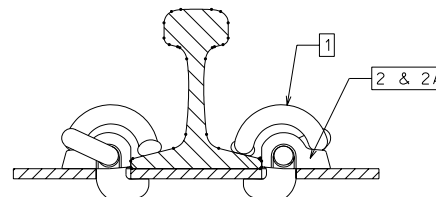
Holes punched to suit rail weight & insulation requirements

YYMMDD  
NARSTCO  
TIE CODE

Stamp Detail



Typical Insulated Rail Assembly



Typical Uninsulated Rail Assembly

No.	'e' TYPE ASSEMBLY COMPONENTS	PART No.
1	'e' TYPE RAIL CLIP	E2009L
2	NARSTCO CAST HOOK-IN SHOULDER (10mm)	4020
2A	NARSTCO CAST HOOK-IN SHOULDER (12mm)	4060
3	NARSTCO CAST HOOK-IN SHOULDER (10mm)	4010
3A	NARSTCO CAST HOOK-IN SHOULDER (12mm)	4030
4	INSULATOR	
5	RAIL PAD	

\* Rail seat area canted to specification i.e. 1:20, 1:30, 1:40

THIS DRAWING AND THE OBJECTS REPRESENTED IN IT ARE THE EXCLUSIVE PROPERTY OF NARSTCO. REPRODUCTION, COPYING OR DISTRIBUTION OF THIS DRAWING OR OF THE OBJECTS IS NOT PERMITTED WITHOUT OUR WRITTEN CONSENT. THIS DRAWING MAY NOT BE USED TO CALL FOR TENDERS AND MAY NOT BE MADE AVAILABLE FOR REVIEW BY PARTIES OTHER THAN THE RECIPIENT.

REV.	DATE	DESCRIPTION	BY

**NARSTCO**  
NORTH AMERICAN RAILWAY STEEL TIE CORPORATION

300 Ward Rd., Midlothian, TX USA - Phone: 972-775-5560

CLIENT		
STANDARD		
DRAWN	APPROVED	DATE
CG		SEPT 21 2001

DWG. NO.	TITLE
1034	H-SECTION STEEL CROSS TIE. INSULATED AND UNINSULATED APPLICATIONS WITH CAST HOOK-IN SHOULDERS FOR 'e' TYPE CLIPS.

REV.	EFILE
00	D:\DRWGS\TIES\M\H1034.DGN
	SCALE NONE