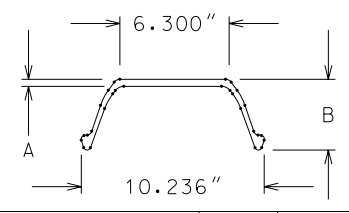
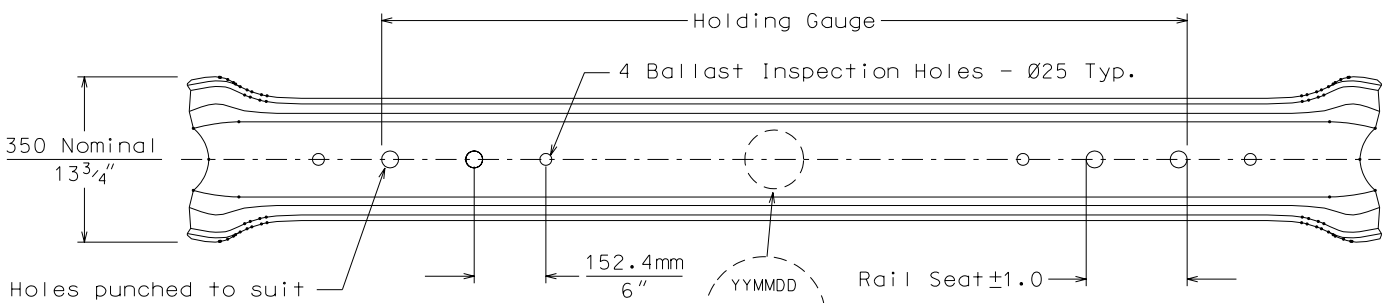


Section Properties



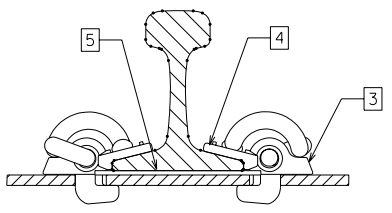
Section:	M8	M10
Dimension 'A' in	.315	.394
Dimension 'B' in	3.870	3.949
Weight of tie - lb	123	146
Weight of bar - lb/ft	14.75	17.50
Yield strength - KSI (min)	51	51
Section moduli - Z Top*in ³	5.94	7.03
- Z Bot*in ³	2.79	3.16



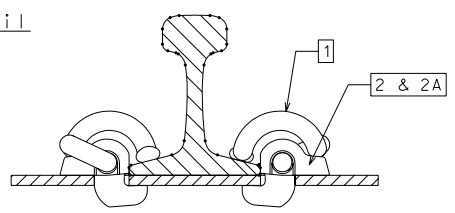
Holes punched to suit rail weight & insulation requirements

YYMMDD
NARSTCO
TIE CODE

Stamp Detail



Typical Insulated Rail Assembly



Typical Uninsulated Rail Assembly

No.	'e' TYPE ASSEMBLY COMPONENTS	PART No.
1	'e' TYPE RAIL CLIP	E2009L
2	NARSTCO CAST HOOK-IN SHOULDER (10mm)	4020
2A	NARSTCO CAST HOOK-IN SHOULDER (8mm)	4040
3	NARSTCO CAST HOOK-IN SHOULDER (10mm)	4010
4	INSULATOR	
5	RAIL PAD	

* Rail seat area canted to specification i.e. 1:20, 1:30, 1:40

NOTE: M8 TIE NOT AVAILABLE WITH INSULATED RAIL ASSEMBLY

THIS DRAWING AND THE OBJECTS REPRESENTED IN IT ARE THE EXCLUSIVE PROPERTY OF NARSTCO. REPRODUCTION, COPYING OR DISTRIBUTION OF THIS DRAWING OR OF THE OBJECTS IS NOT PERMITTED WITHOUT OUR WRITTEN CONSENT. THIS DRAWING MAY NOT BE USED TO CALL FOR TENDERS AND MAY NOT BE MADE AVAILABLE FOR REVIEW BY PARTIES OTHER THAN THE RECIPIENT.

CLIENT	STANDARD	DWG. NO.	1535	REV.	00
DRAWN	APPROVED	DATE	TITLE	FILE	
CG		SEPT 21 2001	M-SECTION STEEL CROSS TIE. INSULATED AND UNINSULATED APPLICATIONS WITH CAST HOOK-IN SHOULDERS FOR 'e' TYPE CLIPS.	D: *DRWGS *TIES *M * M1535-DGN	
			SCALE NONE		

REV.	DATE	DESCRIPTION	BY