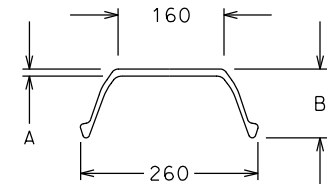
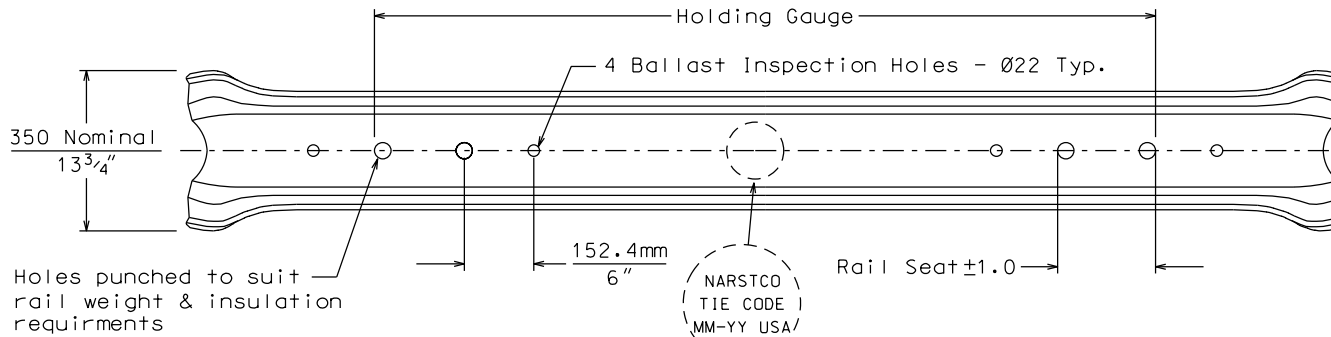


Section Properties

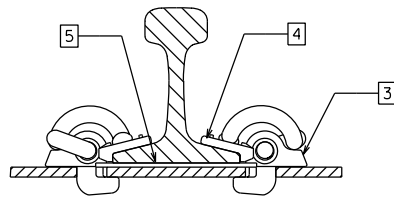


Section:	M8	M10
Dimension 'A' mm	8	10
Dimension 'B' mm	98.3	100.3
Weight of tie - kg / lb	58/128	70/154
Weight of bar - kg/m	22.2	26.7
Yield strength - MPa (min)	345	345
Section moduli - Z Top*10 ³ mm ³	97.4	115.2
- Z Bot*10 ³ mm ³	45.7	51.8

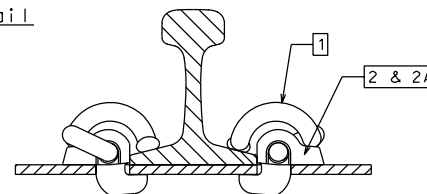


Holes punched to suit rail weight & insulation requirements

Stamp Detail



Typical Insulated Rail Assembly



Typical Uninsulated Rail Assembly

No.	'e' TYPE ASSEMBLY COMPONENTS	PART No.
1	'e' TYPE RAIL CLIP	'e' CLIP
2	NARSTCO CAST HOOK-IN SHOULDER (10mm)	4020
2A	NARSTCO CAST HOOK-IN SHOULDER (8mm)	4040
3	NARSTCO CAST HOOK-IN SHOULDER (10mm)	4010
4	INSULATOR	
5	RAIL PAD	

* Rail seat area canted to specification i.e. 1:20, 1:30, 1:40

NOTE: M8 TIE NOT AVAILABLE WITH INSULATED RAIL ASSEMBLY

UNCONTROLLED COPY
THIS COPY IS NOT CONTROLLED
SUPPLIED FOR INFORMATION ONLY
REVISIONS WILL NOT BE PROVIDED

THIS DRAWING AND THE OBJECTS REPRESENTED IN IT ARE THE EXCLUSIVE PROPERTY OF NARSTCO. REPRODUCTION, COPYING OR DISTRIBUTION OF THIS DRAWING OR OF THE OBJECTS IS NOT PERMITTED WITHOUT OUR WRITTEN CONSENT. THIS DRAWING MAY NOT BE USED TO CALL FOR TENDERS AND MAY NOT BE MADE AVAILABLE FOR REVIEW BY PARTIES OTHER THAN THE RECIPIENT.

REV.	DATE	DESCRIPTION	EC#
02	4-05-13	Section properties and general update	EC13-03
01	08-07-08	GENERAL UPDATE: STAMP DETAIL, 'e' Clip part number, & FILE	RS

NARSTCO

NORTH AMERICAN RAILWAY STEEL TIE CORPORATION

300 Ward Road, Midlothian, TX USA - Phone: 972-775-5560

CLIENT			DWG. NO.	REV.
STANDARD			1535	02
DRAWN	APPROVED	DATE	TITLE	FILE
CG		SEPT 21 2001	M-SECTION STEEL CROSS TIE. INSULATED AND UNINSULATED APPLICATIONS WITH CAST HOOK-IN SHOULDERS FOR 'e' TYPE CLIPS.	FILED BY: [blank] / [blank]
				SCALE
				NONE